



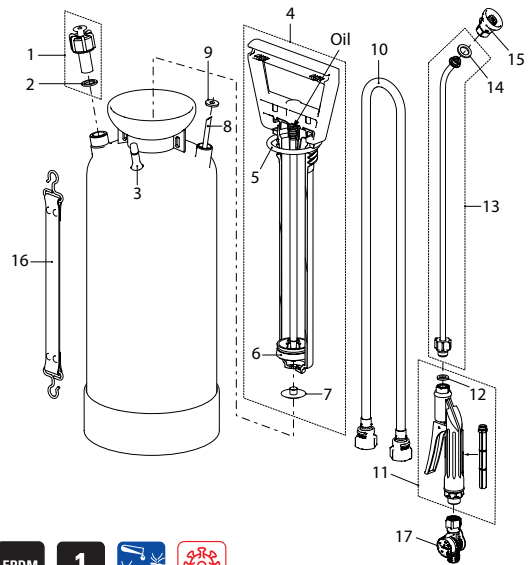
Clean-Matic 5 P



PR 3 P1



Clean-Matic 5 E



Clean-Matic 5 P, compression sprayer with fanjet nozzle, with PR 3 P1 (acids)	11664901	121314
Clean-Matic 5 E, compression sprayer with fanjet nozzle, with PR 3 E1 (alkalis)	11907401	121352
<b>Accessories (Pictures see page 78 ff)</b>		
Pump with Li-Ion battery	12092101	010953
Two hand grip	11887301	040578
Closing cap made of plastic (inst. of hand pump)	11629502	100869
Adjustable nozzle 1.3 mm, brass nickel with G1/4" thread	11926801	113685
Foam nozzle G1/4"	11688701	040561
Spray tube 1 m, stainless steel, G1/4"e-G1/4"e	11669802	110578
Fanjet nozzle XR 8002 VS (yellow)	50142022	110332
<b>No Gasket set Clean-Matic 5 P consisting of:</b>	10399003-SB	700809
<b>No Gasket set Clean-Matic 5 E consisting of:</b>	11909801	110585
2 Gasket 21x15.4x2		
5 O-ring 50.16x5.34		
6 Sleeve ø38.85 x 7.9 mm		
7 Pump gasket ø24 mm		
9 Gasket 15x5.5x2		
12 Gasket 12.2x7x3		
14 Gasket 17x11x1.5		
<b>No Spare parts</b>	<b>For model</b>	
1 Safety and pressure relief valve 4 bar	5P	11617902-SB 710181
1 Safety and pressure relief valve 4 bar	5E	11669611 110592
3 Compressed air valve	5P / 5E	50137532 040653
4 Pump black 1.4301 PP Viton	5P	11625301-SB 710150
4 Pump black 1.4301 PP EPDM	5E	11906501 110448
6 Guide with sleeve; 6 pcs per pack	5P / 5E	10853203 040066
6 Sleeve; 6 pcs per pack	5P / 5E	11642701 040059
8 Suction tube L = 435 mm, <b>minimum order qty. 5 pcs</b>	5P / 5E	10450502 040844
10 Hose 1.5 m, G1/2"-G1/2", oil resistant	5P	10834210-SB 710402
10 Hose 1.5 m, G1/2"-G1/2"	5E	11908301 110486
11 Trigger Profi G1/2"	5P	10966106 110608
Gasket set for trigger	5P	11664910 040851
11 Trigger Profi G1/2"	5E	10966107 110615
Gasket set for trigger	5E	11973801 400853
13 Spray tube 50 cm curved, stainless steel	5P	11669801 110622
13 Spray tube 50 cm curved, stainless steel	5E	11669803 110639
15 Fanjet nozzle G1/4"i, TPU 8002 PP, Viton (grey)	5P	11932703 400198
15 Fanjet nozzle G1/4"i, TPU 8002 PP, EPDM (grey)	5E	11947503 400181
16 Carrying belt	5P / 5E	10453601 100739
17 Pressure control valve PR 3 P1	5P	12140001 038223
17 Pressure control valve PR 3 E1	5E	12098901-SB 011929



Foam nozzle G1/4"  
11688701